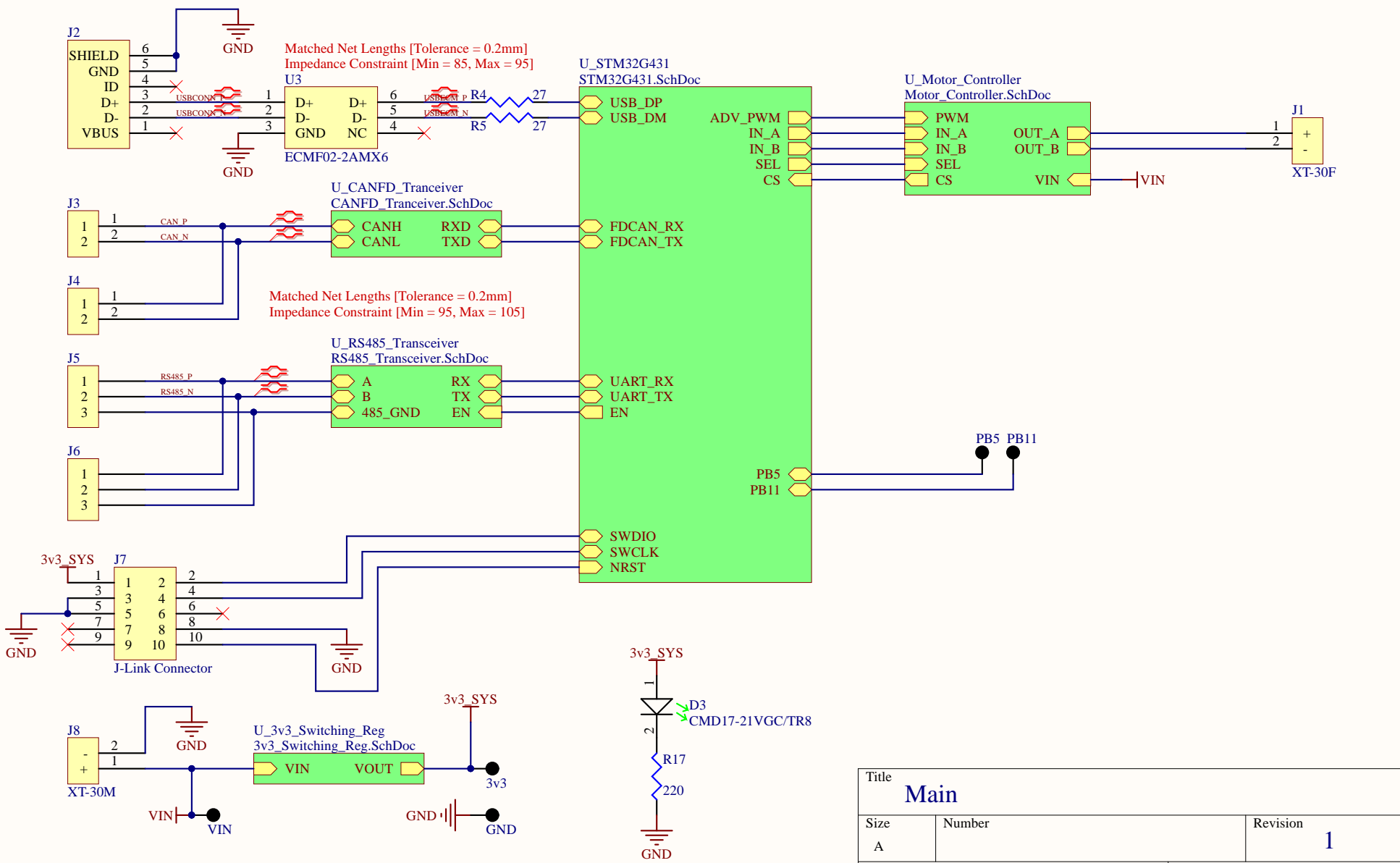
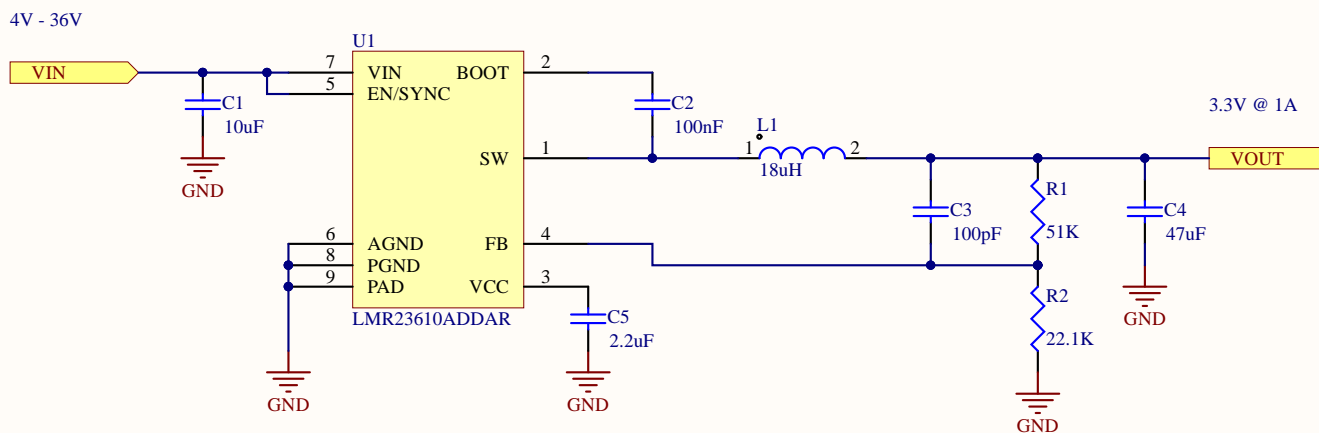


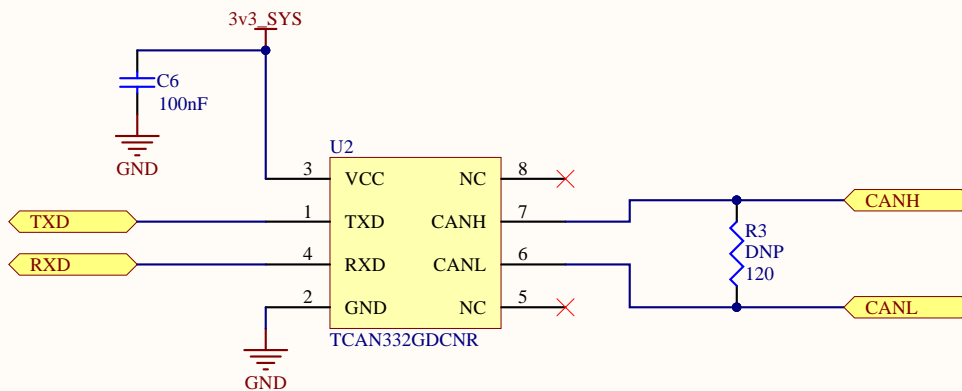
VBUS is not connected for size constraints



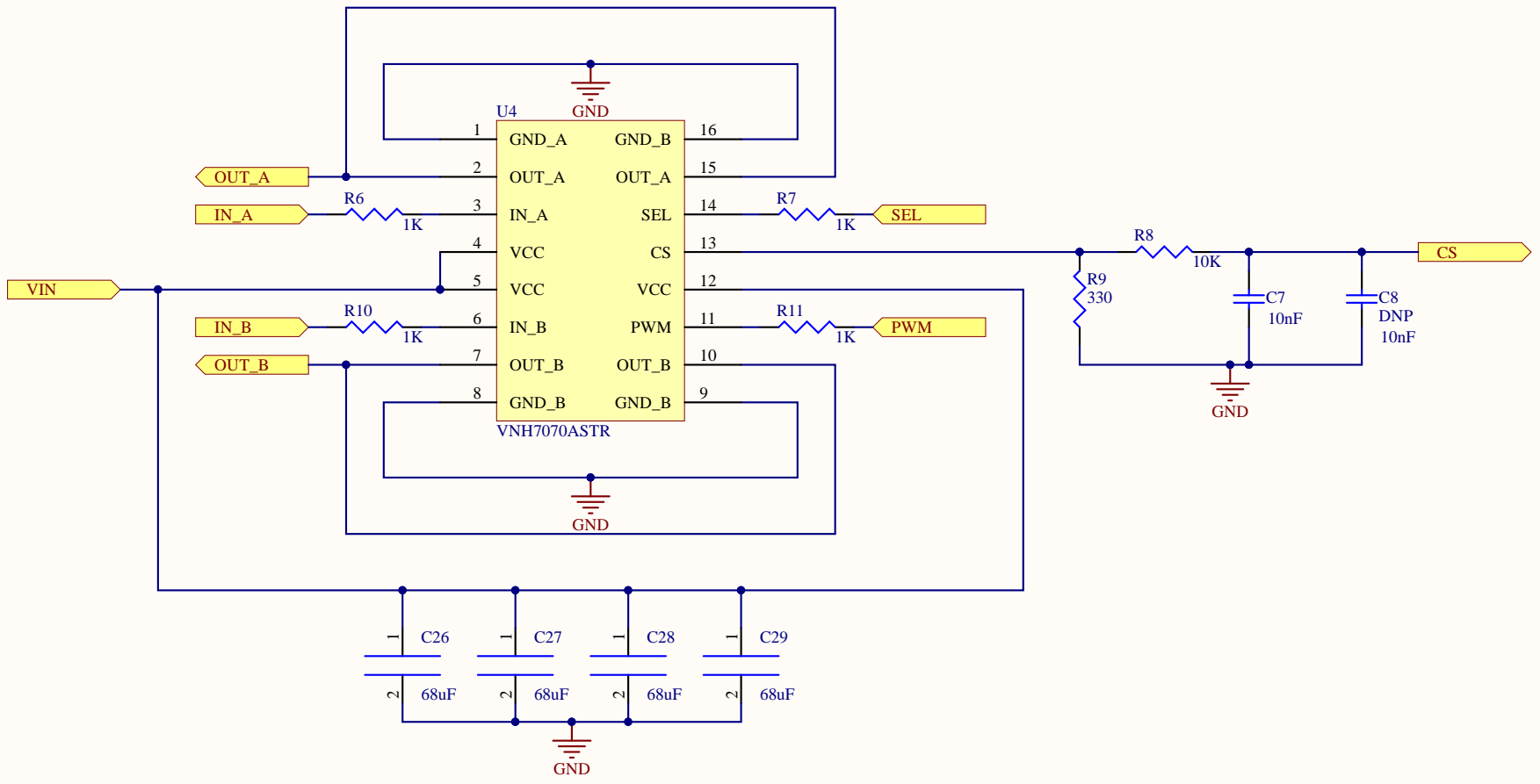
Title		
Main		
Size	Number	Revision
A		1
Date:	5/29/2020	Sheet 1 of 6
File:	C:\Users\...\Main.SchDoc	Drawn By: Trevor Murphy



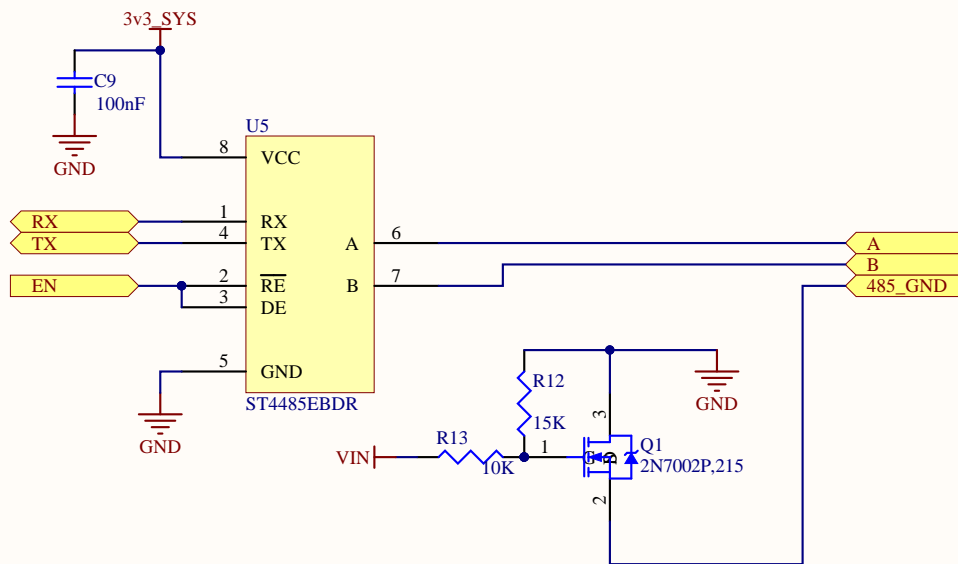
Title		
3.3V Switching Regulator		
Size	Number	Revision
A		1
Date:	5/29/2020	Sheet 4 of 6
File:	C:\Users\...\3v3_Switching_Reg.SchDoc	Drawn By: Trevor Murphy



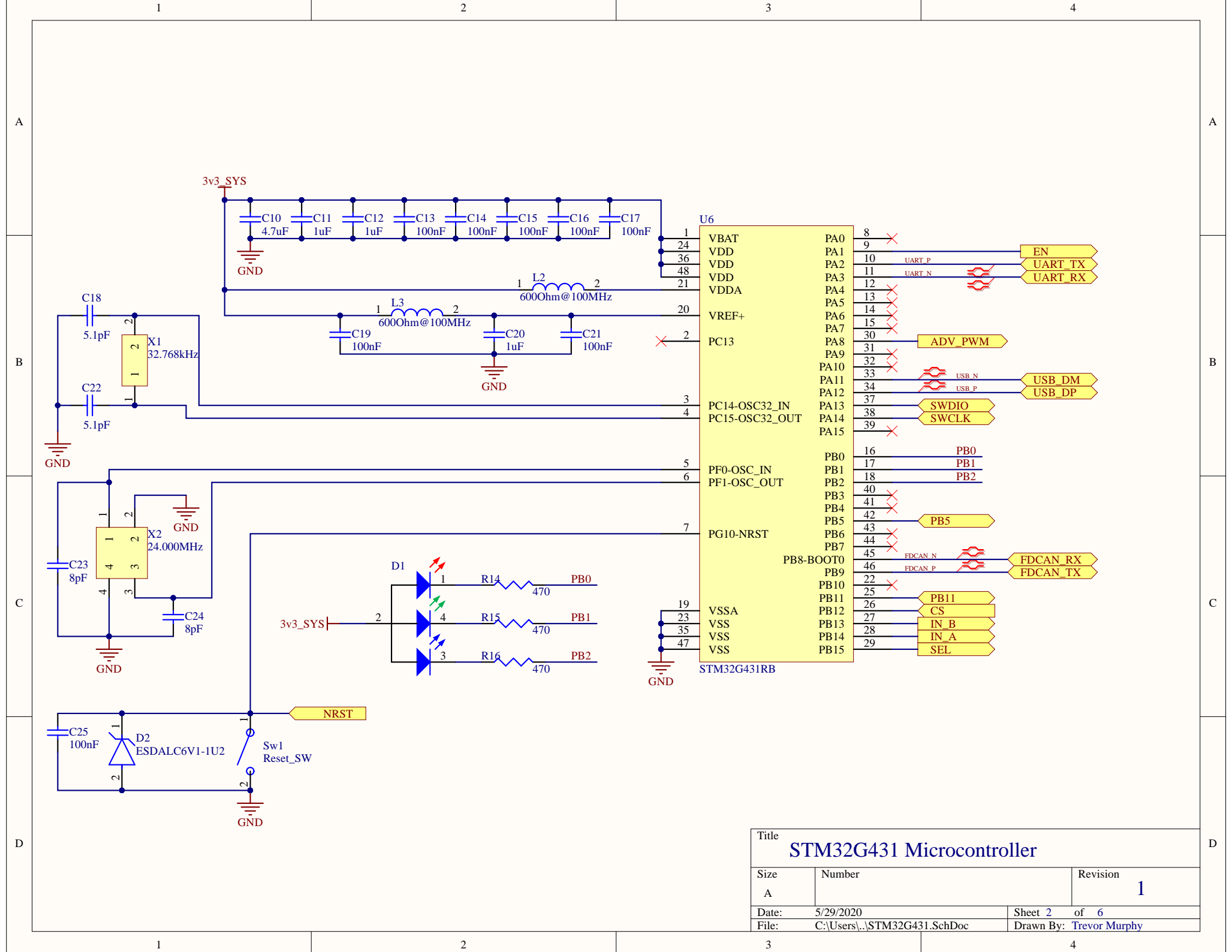
Title		
FDCAN Transceiver		
Size	Number	Revision
A		1
Date:	5/29/2020	Sheet 6 of 6
File:	C:\Users\...\CANFD_Tranceiver.SchDoc	Drawn By: Trevor Murphy



Title		
Motor Controller		
Size	Number	Revision
A		1
Date:	5/29/2020	Sheet 3 of 6
File:	C:\Users\...\Motor_Controller.SchDoc	Drawn By: Trevor Murphy



Title		
RS485 Transceiver		
Size	Number	Revision
A		1
Date:	5/29/2020	Sheet 5 of 6
File:	C:\Users\...\RS485_Transceiver.SchDoc	Drawn By: Trevor Murphy



Title		
STM32G431 Microcontroller		
Size	Number	Revision
A		1
Date:	5/29/2020	Sheet 2 of 6
File:	C:\Users\...\STM32G431.SchDoc	Drawn By: Trevor Murphy

